	Input - PV Panel				
		SR 48	SR 96	SR 120	
	Voc (V)			50	
	Isc(A)			9	
	Mpp Voltage (V)			48-70	
	Current (A)			6	
	Power (Wp)			600	
	Panel intelligence			MPPT	
	Output – Float voltage				
	Nominal Voltage (V)	48.0	96.00	120.00	
	Boost level (V) *	57.2	114.4	143.0	
	Float level (V) *	55.2	110.4	138.0	
	Temperature compensation *	-2mV/°C/cell			
	Standby current (mA)	1.0			
	Battery Current (A)	12.4	6.2	5.0	
	Indicators				
	Condition	LED status			
	Normal Charging	1 blink / 5 sec.			
	Float charging	2 blinks / 5 sec.			
	Battery open	3 blinks / 5 sec.			
<ul style="list-style-type: none"> • 48/96/12V battery bank charger • Distributed MPPT • Temperature compensation • PWM float charging • Scalable to any size plant • Remote monitoring and interface • Parallel operation enables use of different rating panels • No single point of failure • Enables shade tolerant systems 	Protections				
		<ul style="list-style-type: none"> • Lightning • Panel reversal • Battery reversal • Short circuit 			
		Efficiency			
		96+/-3.0 %			
		Data Logging (optional)	Panel Voltage, Battery Voltage, Panel Current, Battery Current, Temperature		
		Communication	RS485		
		Enclosure	IP-65 (NEM4)		
		Bus Isolation	Up to 1000 VDC		
		Operating temperature (°C)	-20 to 55		
		Connectors (Panel+, Panel-, Battery+, Battery-, RS485-A/B)	Free hanging insulated cables with crimped ends		
		Fuse Rating	20A glass cartridge		
		MTBF	20 years		

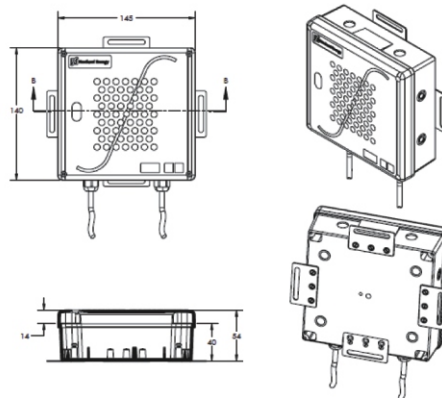
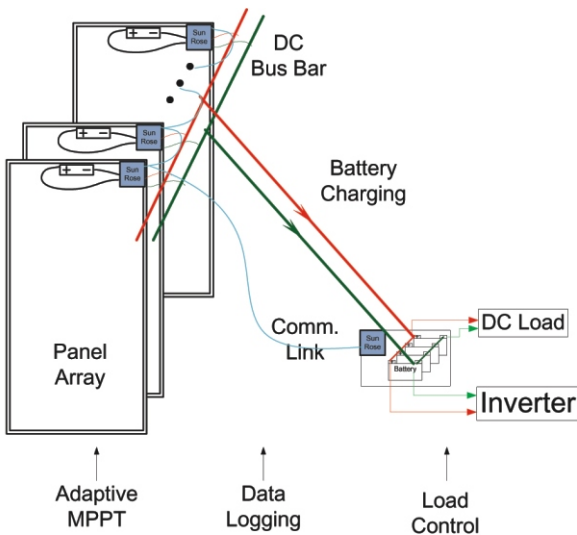
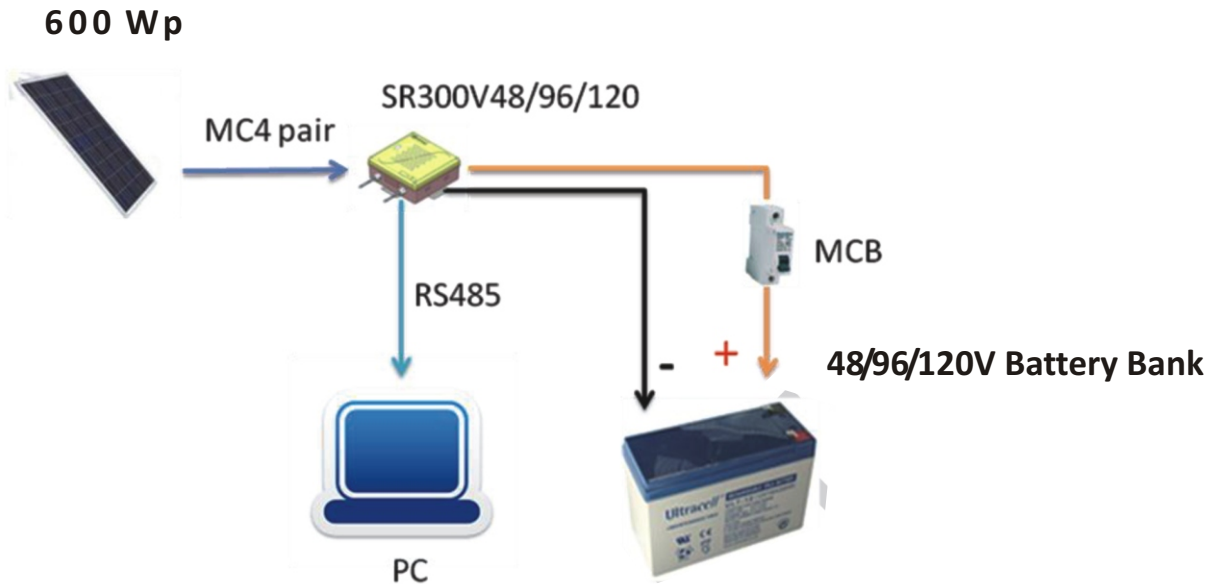
PERPETUAL POWER

SERVICES PRIVATE LIMITED

Solar Maximizer Series

Scalable MPPT SOLAR Energy Maximizer for 48/96/120V DC Battery bank

Typical Connection Diagram



PERPETUAL POWER

SERVICES PRIVATE LIMITED

121/6, Sathnur Main Road, Sathnur, Near Country Club, Bangalore - 562149.

Mob. : 9845835774, 9845271112

E-mail : ppsplblr@yahoo.co.in, salesblr@perpetualpowerups.com,

Website : www.perpetualpowerups.com

