


| | | | | | |
|--|-------------------------------|--|---|--------|--|
|  | Input - PV Panel | | | | |
| | | SR 48 | SR 96 | SR 120 | |
| | Voc (V) | 50 | | | |
| | Isc(A) | 9 | | | |
| | Mpp Voltage (V) | 48-70 | | | |
| | Current (A) | 60 | | | |
| | Power (Wp) | 600 | | | |
| | Panel intelligence | MPPT | | | |
| | Output – Float voltage | | | | |
| | Nominal Voltage (V) | 48.0 | 96.00 | 120.00 | |
| | Boost level (V) * | 57.2 | 114.4 | 143.0 | |
| | Float level (V) * | 55.2 | 110.4 | 138.0 | |
| | Temperature compensation * | -2mV/°C/cell | | | |
| | Standby current (mA) | 1.0 | | | |
| | Battery Current (A) | 12.4 | 6.2 | 5.0 | |
| | Indicators | | | | |
| | Condition | LED status | | | |
| | Normal Charging | 1 blink / 5 sec. | | | |
| | Float charging | 2 blinks / 5 sec. | | | |
| | Battery open | 3 blinks / 5 sec. | | | |
| <ul style="list-style-type: none"> • 48/96/12V battery bank charger • Distributed MPPT • Temperature compensation • PWM float charging • Scalable to any size plant • Remote monitoring and interface • Parallel operation enables use of different rating panels • No single point of failure • Enables shade tolerant systems | Protections | | | | |
| | | <ul style="list-style-type: none"> • Lightning • Panel reversal • Battery reversal • Short circuit | | | |
| | | Efficiency | | | |
| | | | 96+/-3.0 % | | |
| | | Data Logging (optional) | Panel Voltage, Battery Voltage, Panel Current, Battery Current, Temperature | | |
| | | Communication | RS485 | | |
| | | Enclosure | IP-65 (NEM4) | | |
| | | Bus Isolation | Up to 1000 VDC | | |
| | | Operating temperature (°C) | -20 to 55 | | |
| | | Connectors (Panel+, Panel-, Battery+, Battery-, RS485-A/B) | Free hanging insulated cables with crimped ends | | |
| | | Fuse Rating | 20A glass cartridge | | |
| | | MTBF | 20 years | | |

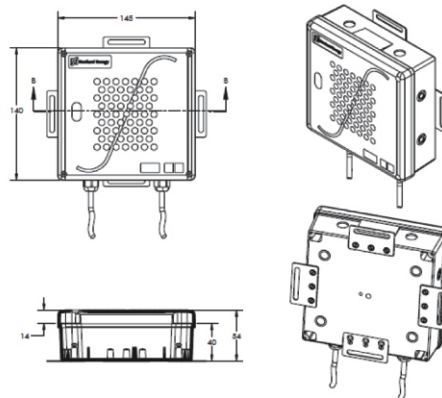
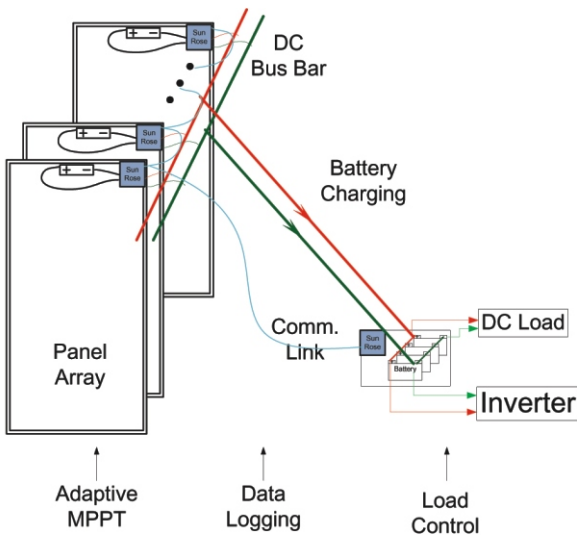
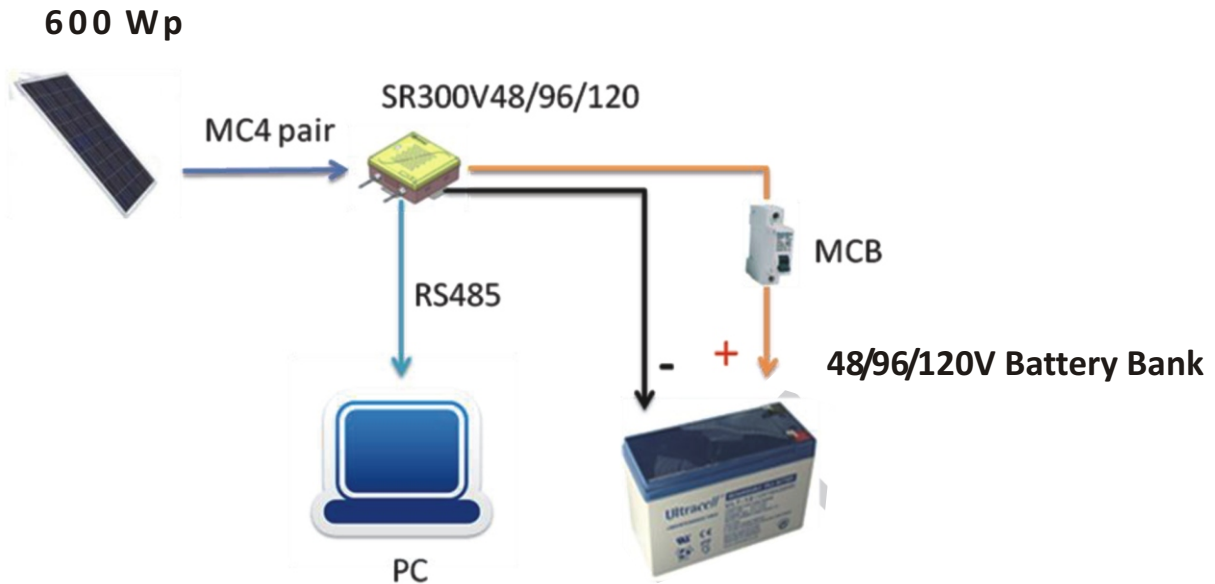
PERPETUAL POWER

SERVICES PRIVATE LIMITED

Solar Maximizer Series

Scalable MPPT SOLAR Energy Maximizer for 48/96/120V DC Battery bank

Typical Connection Diagram



PERPETUAL POWER

SERVICES PRIVATE LIMITED

121/6, Sathnur Main Road, Sathnur, Near Country Club, Bangalore - 562149.

Mob. : 9845835774, 9845271112

E-mail : ppsplblr@yahoo.co.in, salesblr@perpetualpowerups.com,

Website : www.perpetualpowerups.com

